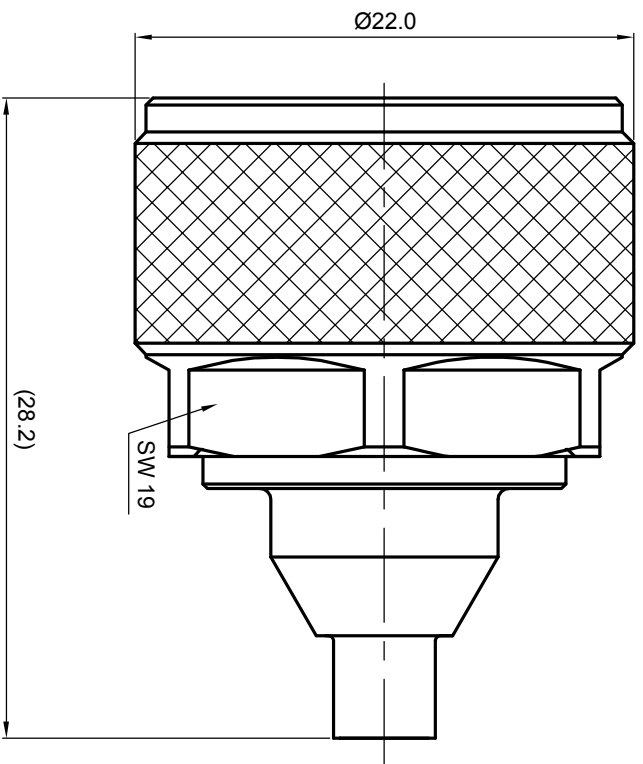


**NOTES: (UNLESS OTHERWISE SPECIFIED)**

1. Part must be packaged to avoid any damaged during transportation.

REV.	DESCRIPTION	APPROVED	DATE	ECN



1.6

MATERIAL	
SEE BOM OF DETAILS	
FINISH	
SEE BOM OF DETAILS	
Plating part to be touched by gloves	
Dimension apply before plating	
XXX - measuring point for plating	
SURFACE	VOLUME

TOLERANCES	
0place	X ±1
1place	.X ±0.1
2place	.XX ±0.05
Angle	±5°
Remove burrs and sharp edges	
	-0.2
	+0.2

THIRD ANGLE PROJECTION	
	<input checked="" type="checkbox"/> 0.06
GENERAL ECCENTRICITY	
DRAWN BY	NAME
Colin	25Mar08
CHECKED BY	DATE
APPROVED BY	

TITLE	
N PLUG - MCX JACK ADAPTOR	
DWG NO.	
A5021.NPMCXP	
SCALE	SIZE
2:1	A4
DO NOT SCALE DRAWING	
REV.	SHEET
S1	1 of 1

1 2 3 4 5 6

A B C D