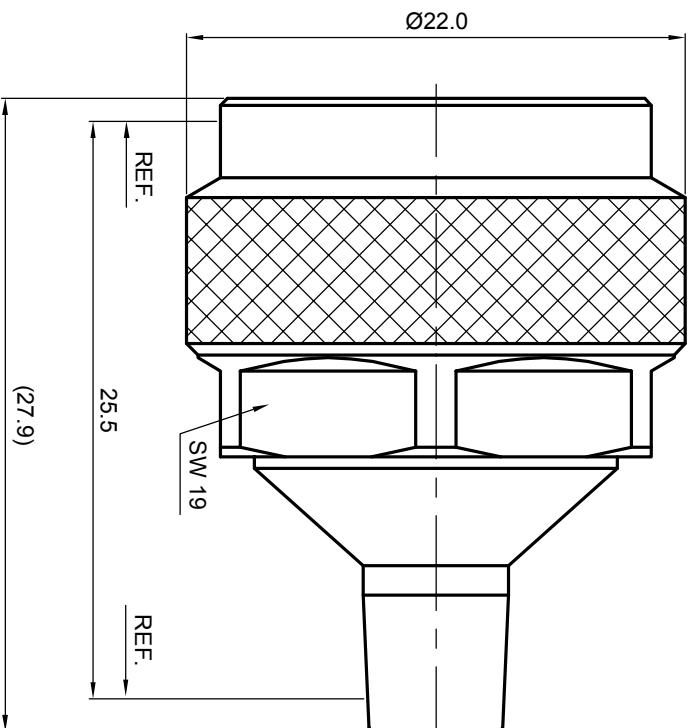


NOTES: (UNLESS OTHERWISE SPECIFIED)

- Part must be packaged to avoid any damaged during transportation.

| REV. | DESCRIPTION | APPROVED | DATE | ECN |
|------|-------------|----------|------|-----|
| | | | | |
| | | | | |
| | | | | |



| | | | | | | | |
|--------------------------------------|--|---|--|--|--|---------------------|--|
| MATERIAL | | SEE BOM OF DETAILS | | THIRD ANGLE PROJECTION | | TITLE | |
| SEE BOM OF DETAILS | | SEE BOM OF DETAILS | | | | | |
| FINISH | | TOLERANCES | | GENERAL ECCENTRICITY | | DWG NO. | |
| SEE BOM OF DETAILS | | 1place X ±1 2place .X ±0.1 Angle .XX ±0.05 ±5° | | <input checked="" type="checkbox"/> 0.06 | | A5017.NPSMBJ | |
| Plating part to be touched by gloves | | Remove burrs and sharp edges | | DRAWN BY Billy Lei 11 Dec 07 | | REV. | |
| Dimension apply before plating | | | | CHECKED BY | | S1 | |
| XXX - measuring point for plating | | | | APPROVED BY | | SCALE | |
| SURFACE | | VOLUME | | NOTICE: Those drawings and specifications are the property of ZEETEQ CORPORATION and used only for the specify purpose authorised by ZEETEQ | | 2:1 | |
| DO NOT SCALE DRAWING | | SIZE | | SHEET | | 1 of 1 | |
| A4 | | A4 | | 1 of 1 | | | |

| | | | | | |
|---|---|---|---|---|---|
| 1 | 2 | 3 | 4 | 5 | 6 |
|---|---|---|---|---|---|