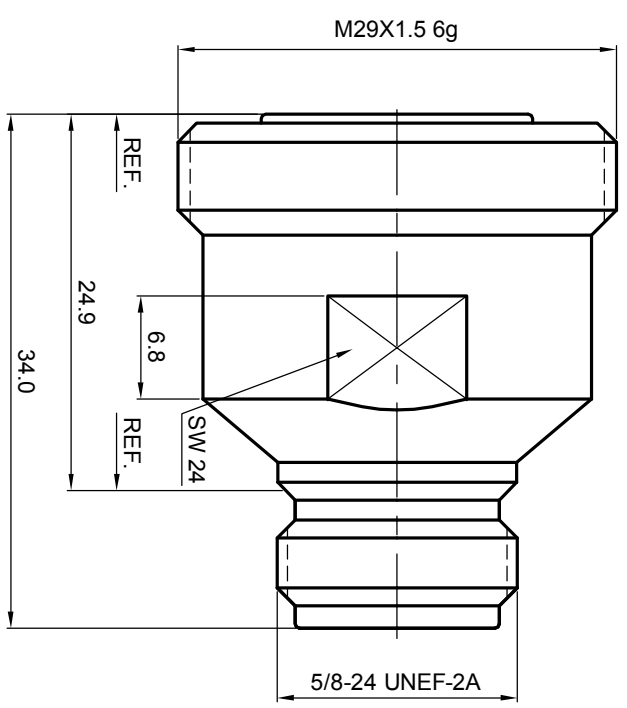


**NOTES: (UNLESS OTHERWISE SPECIFIED)**

1. Part must be packaged to avoid any damaged during transportation.



REV.	DESCRIPTION	APPROVED	DATE	ECN

MATERIAL		TOLERANCES		THIRD ANGLE PROJECTION		TITLE	
SEE BOM OF DETAILS		X ±1 X ±0.1 .XX ±0.05 Angle ±5°				Zeeteq	
SEE BOM OF DETAILS		Remove burrs and sharp edges 		GENERAL ECCENTRICITY <input checked="" type="checkbox"/> 0.06		716 JACK - N JACK ADAPTOR	
FINISH		DRAWN BY		NAME		DATE	
SEE BOM OF DETAILS		Billy Lei		Billy Lei		3 Dec 07	
Plating part to be touched by gloves		CHECKED BY		APPROVED BY		DWG NO.	
Dimension apply before plating						A5007.716JNJ	
XXX - measuring point for plating		SURFACE		VOLUME		SCALE	
						2:1	
						DO NOT SCALE DRAWING	
						SIZE	
						A4	
						SHEET	
						1 of 1	
						REV.	
						S1	

1 2 3 4 5 6