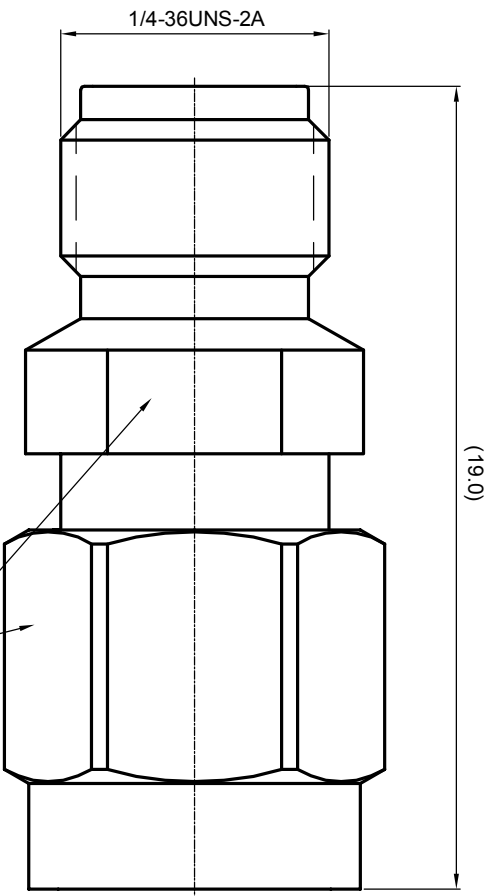



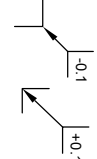
NOTES: (UNLESS OTHERWISE SPECIFIED)

1. Part must be packaged to avoid any damages during transportation.

REV.	DESCRIPTION	APPROVED	DATE	ECN



1.6

MATERIAL SEE BOM		TOLERANCES 0place X ±1 1place X ±0.1 2place .XX ±0.05 Angle ±5°		THIRD ANGLE PROJECTION  GENERAL ECCENTRICITY <input checked="" type="checkbox"/> 0.06		TITLE Zeeteq	
FINISH SEE BOM		Remove burrs and sharp edges  -0.1 +0.1		DRAWN BY Joy Zhou DATE 09Jan08		DWG NO. A5025.SMAPSMJ	
Plating part to be touched by gloves Dimension apply before plating XXX - measuring point for plating		APPROVED BY		SCALE 8:1 DO NOT SCALE DRAWING		SIZE A4 SHEET 1 of 1	
SURFACE		VOLUME		NOTICE: Those drawings and specifications are the property of ZEETEQ CORPORATION and used only for the specify purpose authorised by ZEETEQ		REV. S1	

1 2 3 4 5 6

A B C D

A B C D