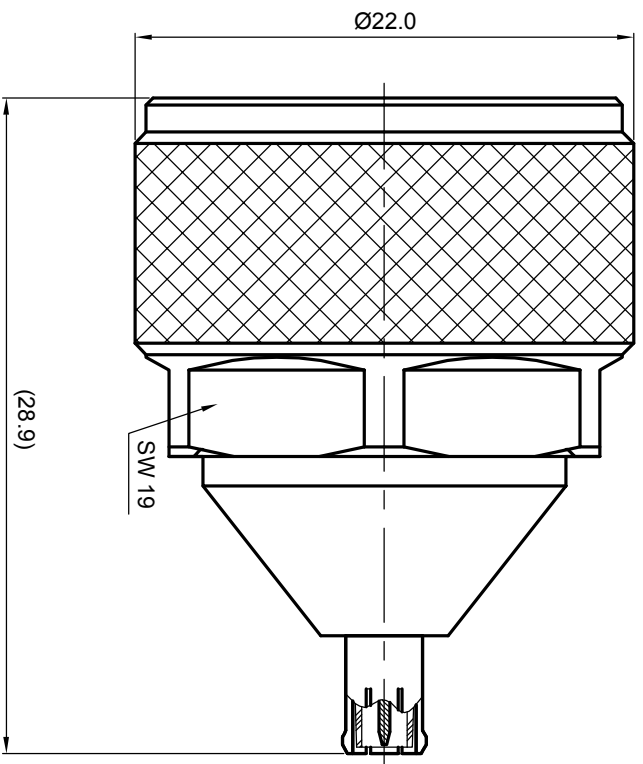


NOTES: (UNLESS OTHERWISE SPECIFIED)

1. Part must be packaged to avoid any damaged during transportation.

REV.	DESCRIPTION	APPROVED	DATE	ECN



1.6

MATERIAL SEE BOM OF DETAILS		TOLERANCES		THIRD ANGLE PROJECTION		TITLE	
FINISH SEE BOM OF DETAILS		1place X ±1 2place .X ±0.1 .XX ±0.05 Angle ±5°				Zee-teq N PLUG - MCX PLUG ADAPTOR	
Plating part to be touched by gloves		Remove burrs and sharp edges		DRAWN BY Colin		DWG NO. A5022.NPMCXP	
Dimension apply before plating				CHECKED BY		SCALE 2:1	
XXX - measuring point for plating		APPROVED BY		DATE 11 Jan 08		DO NOT SCALE DRAWING	
SURFACE		VOLUME		NOTICE: Those drawings and specifications are the property of ZEE-TEQ CORPORATION and used only for the specify purpose authorised by ZEE-TEQ		SIZE A4	
						SHEET 1 of 1	
						REV. S1	