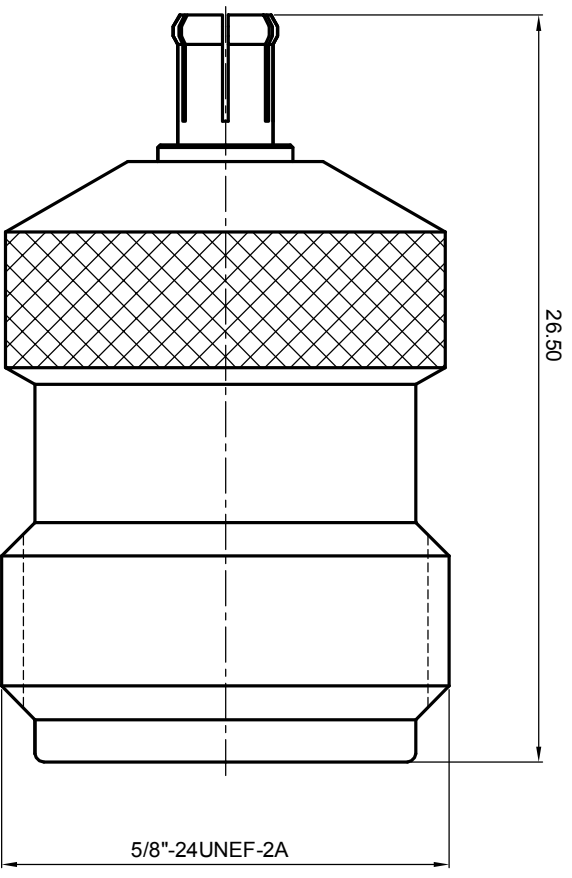


NOTES: (UNLESS OTHERWISE SPECIFIED)

1. Part must be packaged to avoid any damaged during transportation.

REV.	DESCRIPTION	APPROVED	DATE	ECN



MATERIAL SEE BOM		TOLERANCES Oplace X ±1 1place X ±0.1 2place .XX ±0.05 Angle ±5°		THIRD ANGLE PROJECTION 		TITLE Zeeteq	
FINISH SEE BOM		Remove burrs and sharp edges 		GENERAL ECCENTRICITY <input checked="" type="checkbox"/> 0.06		DRAWN BY Joy Zhou 25Mar08	
Plating part to be touched by gloves Dimension apply before plating XXX - measuring point for plating		DRAWN BY Joy Zhou 25Mar08		CHECKED BY		APPROVED BY	
SURFACE		VOLUME		NOTICE: Those drawings and specifications are the property of ZEEETEQ CORPORATION and used only for the specify purpose authorised by ZEEETEQ		SCALE 8:1 DO NOT SCALE DRAWING	
						SIZE A4	
						SHEET 1 of 1	
						REV. S1	