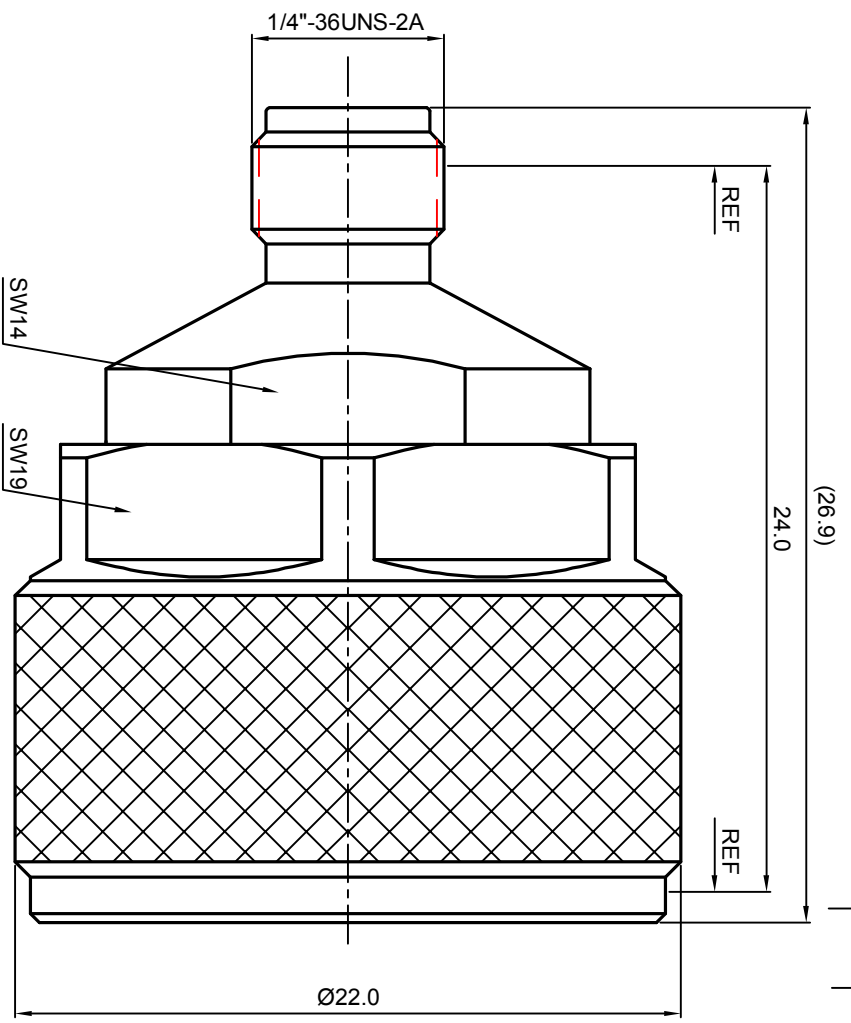


NOTES: (UNLESS OTHERWISE SPECIFIED)

1. Part must be packaged to avoid any damaged during transportation.




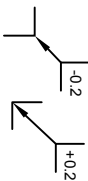
(26.9)

24.0

Ø22.0

1.6

REV.	DESCRIPTION	APPROVED	DATE	EON

MATERIAL SEE BOM FOR DETAILS		TOLERANCES Oplace X ±1 1place X ±0.1 2place XX ±0.05 Angle ±5°		THIRD ANGLE PROJECTION 		TITLE N PLUG - SMA JACK ADAPTOR	
FINISH SEE BOM FOR DETAILS		Remove burrs and sharp edges 		GENERAL ECCENTRICITY <input checked="" type="checkbox"/> 0.06		DWG. NO. A5013.NPSMAJ	
Plating part to be touched by gloves Dimension apply before plating XXX - measuring point for plating		NOTICE: Those drawings and specifications are the property of ZEETEQ CORPORATION and used only for the specify purpose authorised by ZEETEQ		DRAWN BY Danny.D 07Dec07		SCALE 4:1	
SURFACE		VOLUME		CHECKED BY		DO NOT SCALE DRAWING	
APPROVED BY		NAME DATE		SIZE A4		SHEET 1 of 1	
REV.		S1		REV.		S1	

Zeeteq