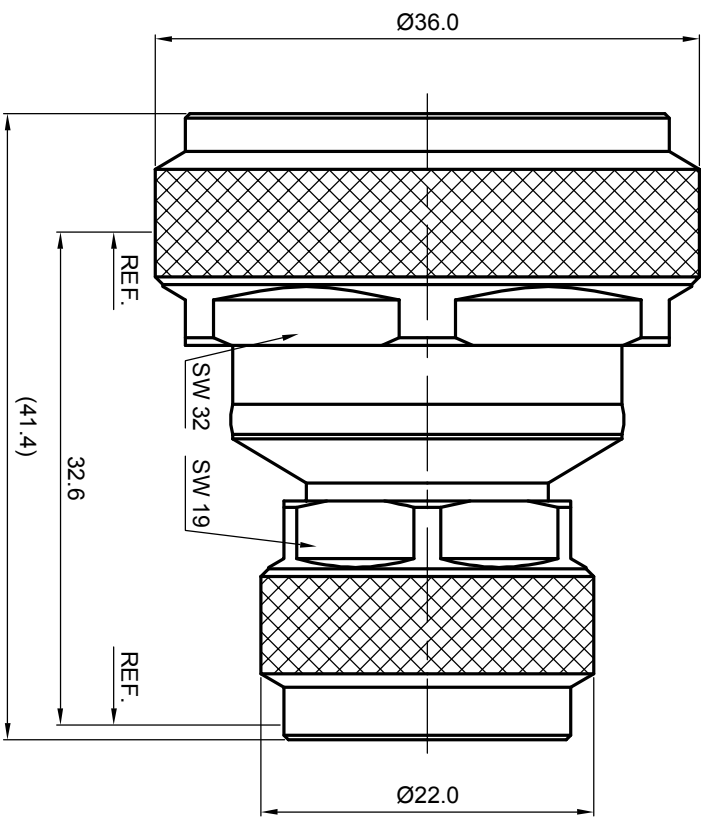


NOTES: (UNLESS OTHERWISE SPECIFIED)

1. Part must be packaged to avoid any damaged during transportation.



REV.	DESCRIPTION	APPROVED	DATE	ECN

MATERIAL		TOLERANCES		THIRD ANGLE PROJECTION		TITLE	
SEE BOM OF DETAILS		Oplace X ±1 1place X ±0.1 2place XX ±0.05 Angle ±5°				Zeeteq 716 PLUG - N PLUG ADAPTOR	
FINISH		GENERAL ECCENTRICITY		NAME		DATE	
SEE BOM OF DETAILS		<input checked="" type="checkbox"/> 0.06		Billy Lei		29 Nov 07	
SEE BOM OF DETAILS		Remove burrs and sharp edges		DRAWN BY		CHECKED BY	
Plating part to be touched by gloves Dimension apply before plating XXX - measuring point for plating				APPROVED BY			
SURFACE		VOLUME		NOTICE:		SCALE	
				Those drawings and specifications are the property of ZEETEQ CORPORATION and used only for the specify purpose authorised by ZEETEQ		2:1	
						DO NOT SCALE DRAWING	
						SIZE A4	
						SHEET 1 of 1	
						REV. S1	

