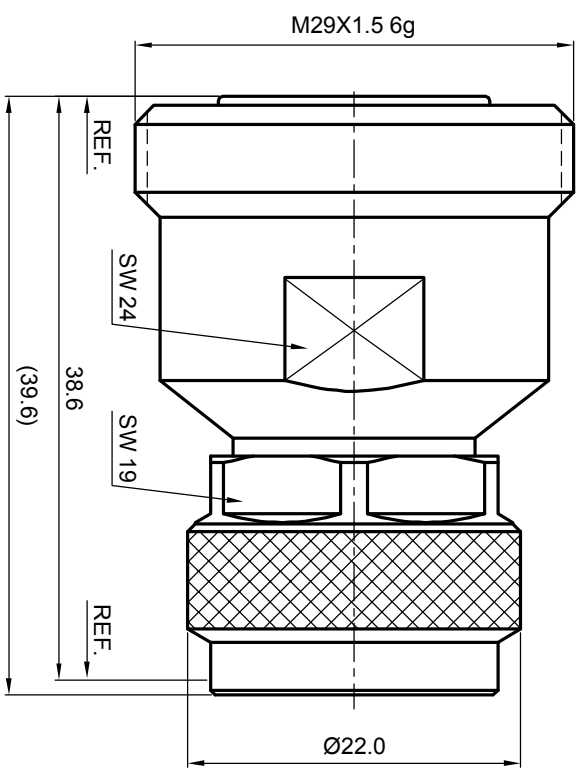


**NOTES: (UNLESS OTHERWISE SPECIFIED)**

1. Part must be packaged to avoid any damaged during transportation.



REV.	DESCRIPTION	APPROVED	DATE	ECN

MATERIAL		TOLERANCES		THIRD ANGLE PROJECTION		TITLE	
SEE BOM OF DETAILS		Oplate X ±1 1place .X ±0.1 2place .XX ±0.05 Angle ±5°				Zeeteq	
SEE BOM OF DETAILS		Remove burrs and sharp edges 		GENERAL ECCENTRICITY <input checked="" type="checkbox"/> 0.06		716 JACK - N PLUG ADAPTOR	
FINISH		DRAWN BY		NAME		DATE	
SEE BOM OF DETAILS		Billy Lei		Billy Lei		4 Dec 07	
Plating part to be touched by gloves		CHECKED BY		APPROVED BY			
Dimension apply before plating							
XXX - measuring point for plating							
SURFACE		VOLUME		NOTICE:		SCALE	
				Those drawings and specifications are the property of ZEETEQ CORPORATION and used only for the specify purpose authorised by ZEETEQ		2:1	
						DO NOT SCALE DRAWING	
						SIZE A4	
						SHEET 1 of 1	
						REV. S1	
						DWG NO. A5009.716JNP	

