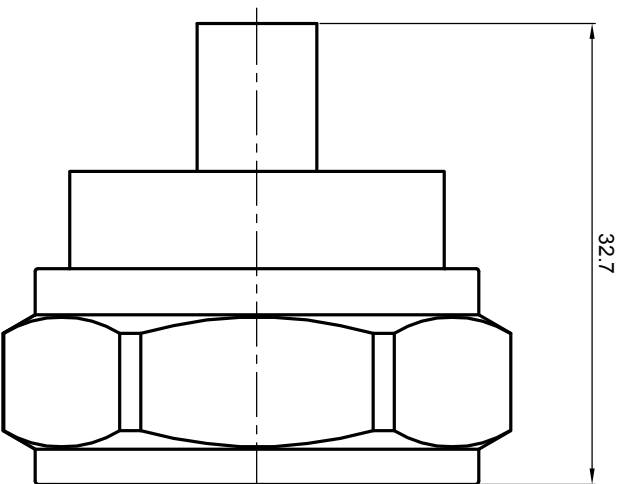
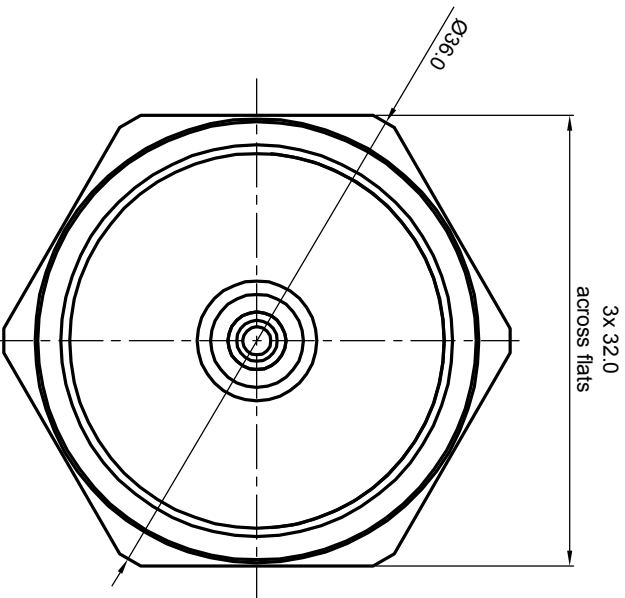


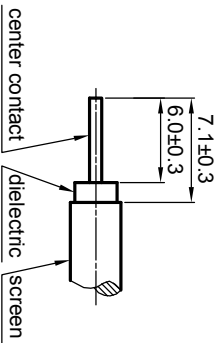
NOTES: (UNLESS OTHERWISE SPECIFIED)

1. Interface comply with IEC 169-4.
2. Part must be packaged to avoid any damaged during transportation.

REV.	DESCRIPTION	APPROVED	DATE	ECN
A	Rel To Production	Johnny	17Apr'08	



RECOMMENDED CABLE STRIPPING DIMENSIONS



MATERIAL		See bom		THIRD ANGLE PROJECTION		TITLE	
FINISH		See bom				Zee-teq	
TOLERANCES		Optimize X ±1 1place X ±0.1 2place .XX ±0.05 Angle ±5°		GENERAL ECCENTRICITY $\left[\frac{Z1028}{1000} \right]$		DWG. NO.	
Remove burrs and sharp edges				DRAWN BY NAME DATE Joy Zhou 01Nov07		5069.716.PSC.04.223	
Plating part to be touched by gloves				CHECKED BY		SCALE	
Dimension apply before plating				APPROVED BY		2:1	
XXX - measuring point for plating						DO NOT SCALE DRAWING	
SURFACE		VOLUME				SIZE	
						A4	
						SHEET	
						1 of 1	
						REV.	
						A	

